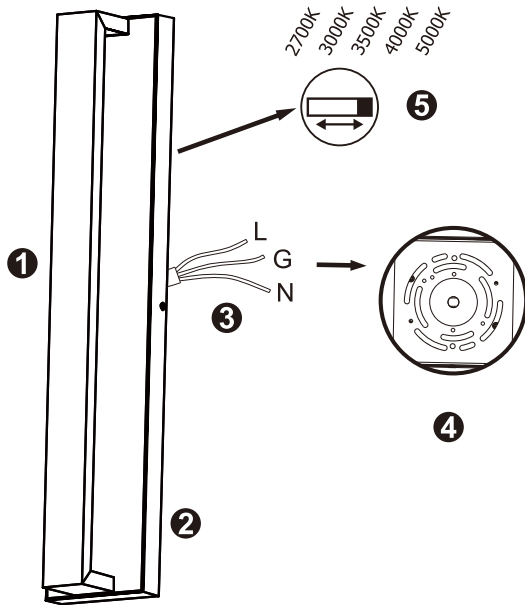


FIXTURE INSTALLATION

Important: Read all instructions in order to ensure safety and proper installation.

DO NOT operate this product under any conditions other than those for which it is specified. Failure to observe these precautions can lead to electrical shock, product failure, or other problems.



PARTS LIST

- ① LED Chip
- ② LED Fixture
- ③ Wire
- ④ Mounting plate
- ⑤ CCT adjustable switch

Specification	Power	Voltage	Lumens	Length	Width	Height	Equivalent to
24" Outdoor LED Wall Light	24 W	100-277V AC	700lm	124 mm	615 mm	90 mm	70 W

MAINTENANCE

READ ALL INSTRUCTIONS IN ORDER TO ENSURE SAFETY AND PROPER INSTALLATION.

1. DO NOT operate this product under ANY conditions other than those specified for it. Failure to observe these precautions can lead to electrical shock, product failure or other problems.
2. TURN OFF THE POWER at the electrical panel before installation or maintenance.
3. DO NOT modify this fixture. ANY modifications may render the product unsafe and void the warranty.
4. This product is rated for outdoor use.

Limited Warranty

The warranty applies to the product from the original date of purchase for three (3) years against manufacturing defects. The owner must provide a copy of the original proof of purchase. The manufacturer's obligation under this warranty is limited to repairing or replacing the component. It is not related in any way to the cost of the connection, the installation of the replacement parts or cost of transport.

Package Content

- 24-Inch Wall Lamp x 1
- Wire Connectors x 3
- Screws x 4
- Mounting plate x 1

INSTALLATION GUIDE

⚠ WARNING

Turn power OFF from electrical panel before installation or maintenance.

1. Take off the mounting bracket from the light fixture.
2. Attached the mounting bracket to the J-box / wall by 2 screws.
3. Use push in wire connectors to connect the wires.
4. Select your ideal CCT through the CCT switch.
5. Fix the light fixture to the mounting bracket by 2 screws on the side.
6. Installation is done.

